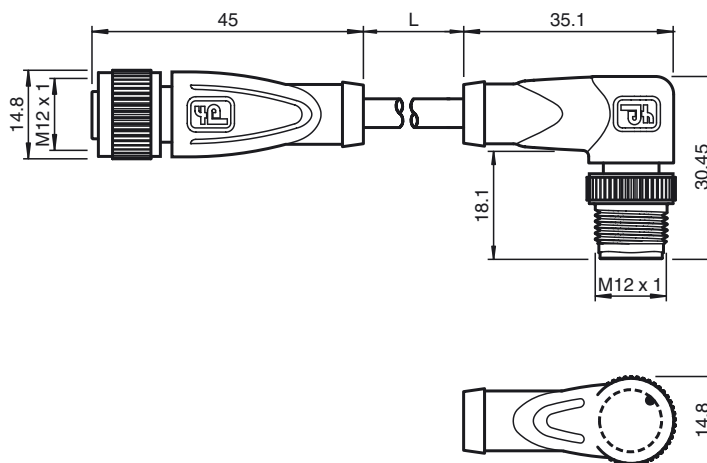




Dimensions



Model Number

V11-G-2M-PUR-V11-W

Connecting cable, M12 to M12, PUR cable 3-pin

Features

- Knurled nut suitable for tool assembly
- Immunity to vibration, with mechanical latching
- Gold-plated and machined contacts
- Degree of protection IP67 / IP68 / IP69K
- Halogen-free
- Suitable for 2- and 3-wire technology

Technical data

General specifications

Number of pins 3

Electrical specifications

Operating voltage U_B max. 300 V DC
 Test voltage $> 1500 V_{eff} AC$
 Operating current I_B max. 4 A
 Volume resistance $< 5 m\Omega$

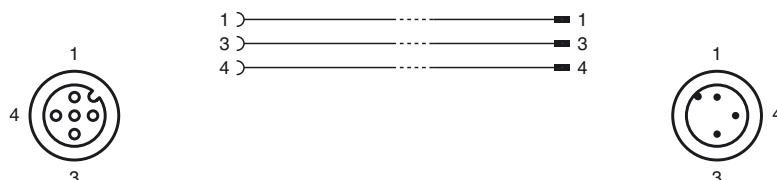
Ambient conditions

Ambient temperature $-25 \dots 100 \text{ }^\circ\text{C}$ ($-13 \dots 212 \text{ }^\circ\text{F}$)
 for temperatures over $80 \text{ }^\circ\text{C}$ ($176 \text{ }^\circ\text{F}$) reduced elongation at tear
 Pollution degree 3

Mechanical specifications

Contact elements spring-loaded contact socket
 Pin diameter 1 mm
 Degree of protection IP67 / IP68 / IP69k
 Material
 Contacts CuSn / Au
 Contact surface Au
 Body TPU, green
 Cable PUR
 Slotted nut Diecast zinc
 Sleeve connector Diecast zinc
 Core insulation PP
 Cable fine-strand, flexible
 Sheath diameter $\text{\O}4.8 \text{ mm}$
 Bending radius $> 10 \times$ cable diameter, moving
 Color grey
 Cores $3 \times 0.34 \text{ mm}^2$
 Conductor construction $19 \times 0.15 \text{ mm } \text{\O}$
 Length L 2 m
 Flammability
 Contact carrier 94 V-2
 Housing 94 V-2

Electrical connection



Release date: 2017-02-16 11:43 Date of issue: 2017-02-16 129949_eng.xml